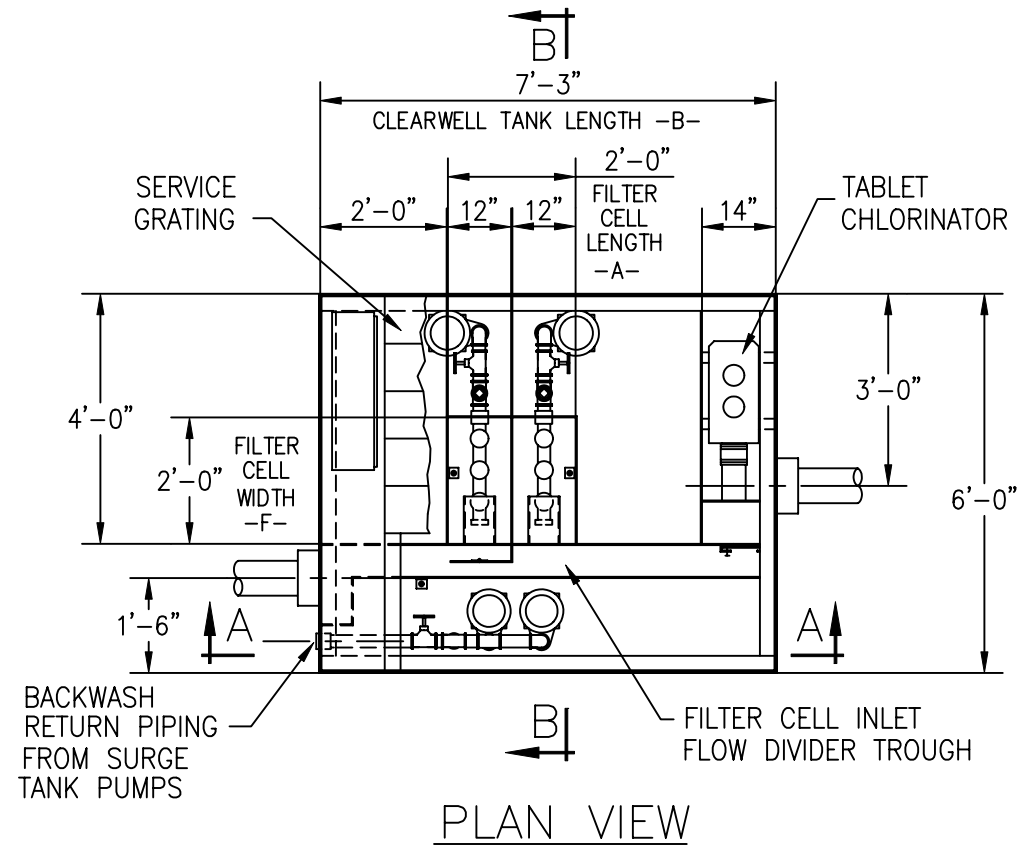
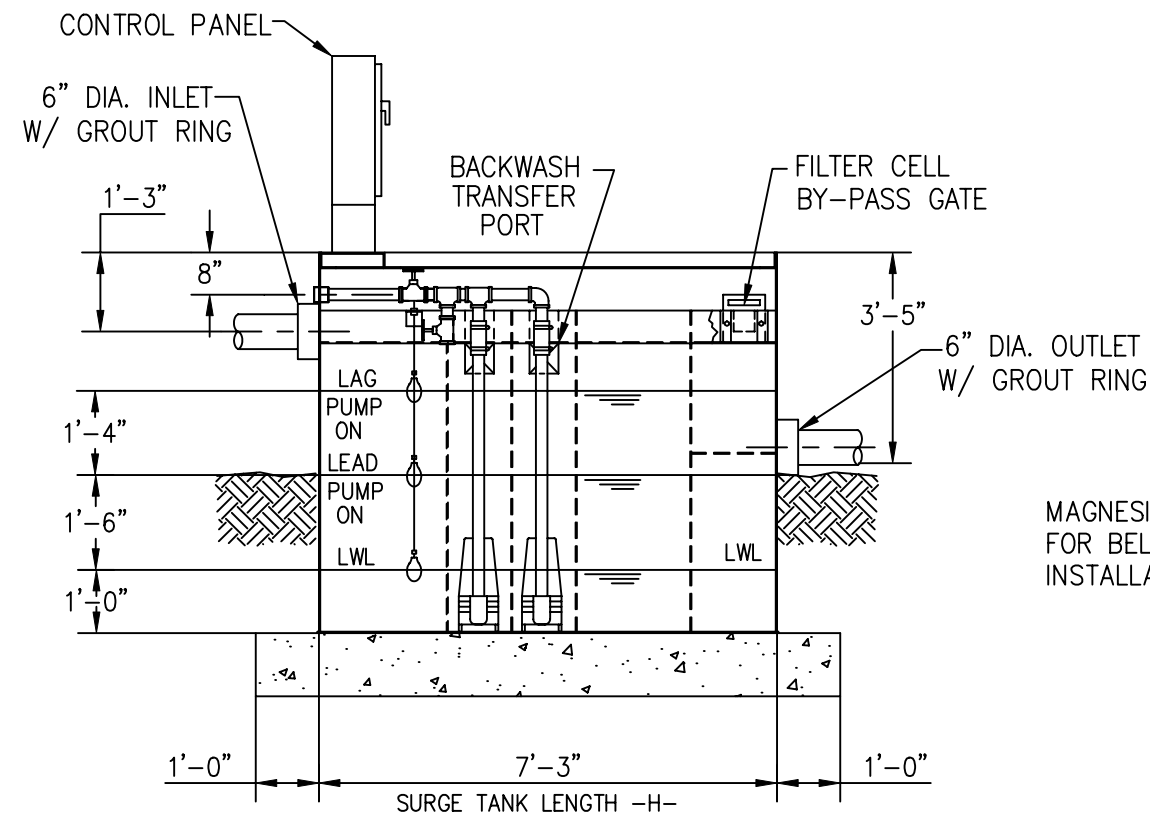
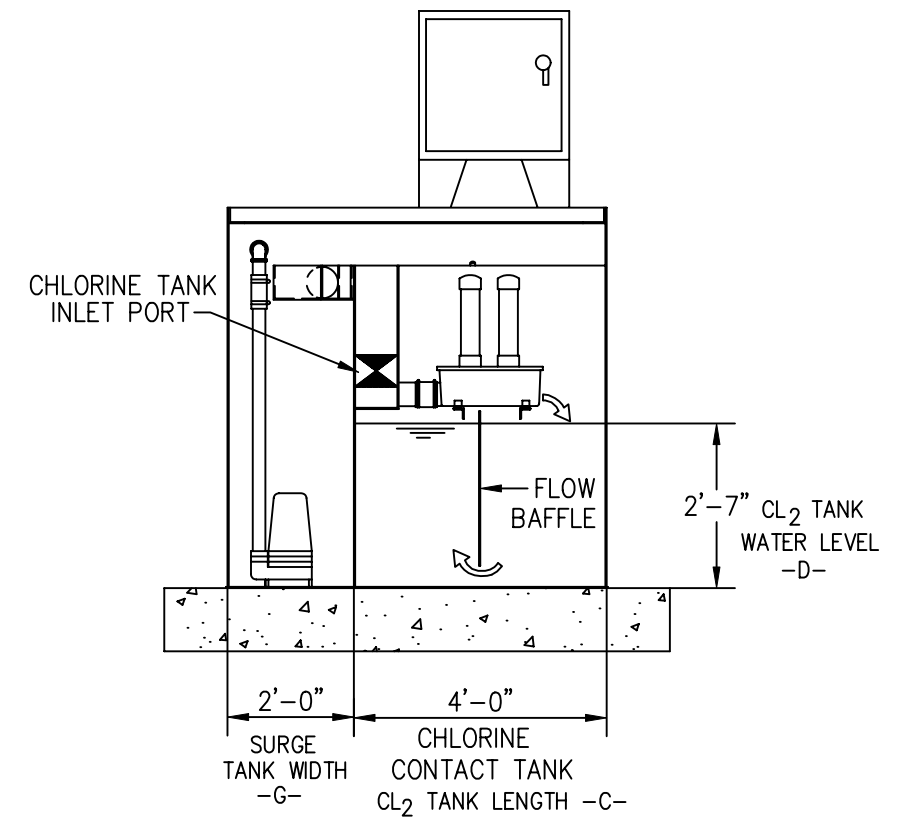


NOTES:

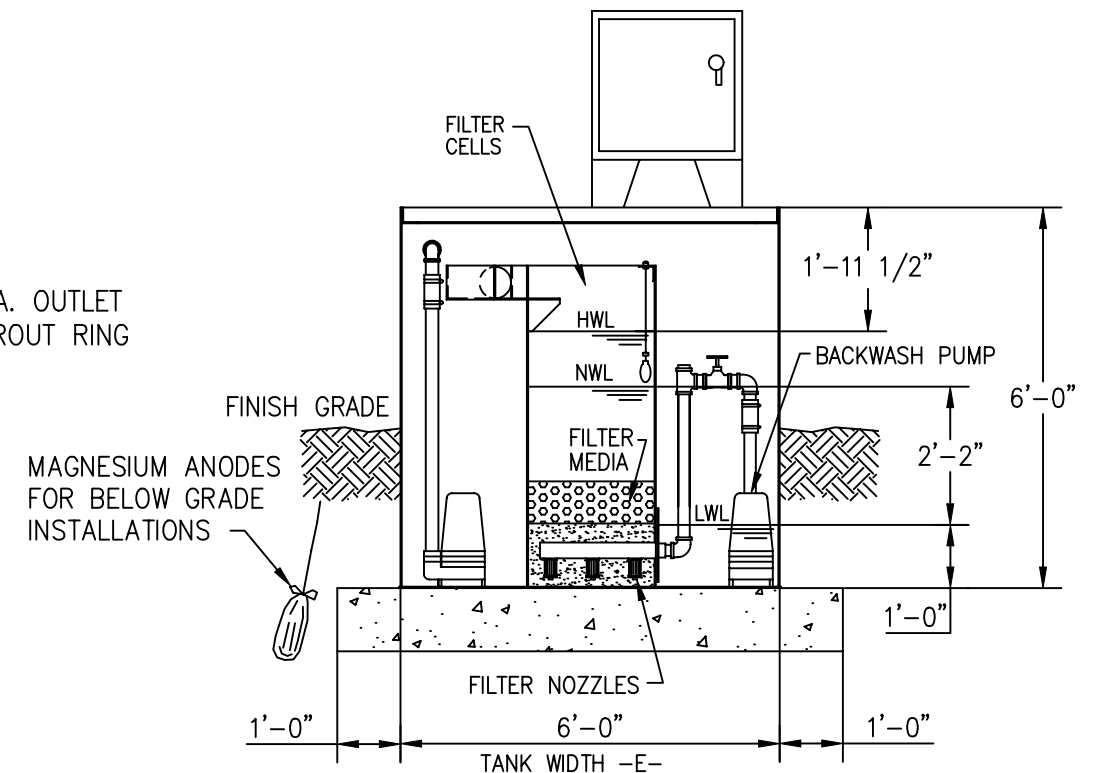
- 1) ALL EXTERNAL TANK PIPING IS NOT SUPPLIED BY PCS
- 2) ACCESS LADDERS AND HANDRAILS ARE OPTIONAL
- 3) INCOMING ELECTRICAL POWER SUPPLY AND THE CONNECTION TO THE CONTROL PANEL IS BY OTHERS.
- 4.) FOUNDATION PAD DESIGN IS DETERMINED BY THE PROJECT ENGINEER AFTER PROJECT SITE SOIL ANALYSIS IS COMPLETED
- 5) FILTER MEDIA AIR SCOURING FACILITIES ARE NOT INCLUDED ON THIS MODEL TERTIARY FILTER.



PLAN VIEW



VIEW A-A



VIEW B-B

OPTIONAL EQUIPMENT- MATERIALS -TANKAGE	
FULL TANK GRATING	GALVANIZED PIPING
BAR TYPE GRATING	DE-CHLORINATION
HANDRAILS/ TOEPLATES	GAS CHLORINATION
LADDERS/ STAIRWAYS	U V DISINFECTION
ANCHOR BRK'TS	NEMA 4X PANEL
MAGNESIUM ANODES	REMOTE MOUNTED
EPOXY PAINT SYSTEM	BLOWERS & CONTROLS

TERTIARY FILTER MODEL NO.	DESIGN FLOW RATE	AREA IN SQ. FT.		CHAMBER VOLUME IN GAL.		
		FILTER CELL NO. 1	FILTER CELL NO. 2	CLEARWELL	SURGE	CHLORINE CONTACT
TF-2-2-C	5,000 GPD	2'-0"	2'-0"	309	307	103

PCS Pollution Control Systems, Inc.
 5827 Happy Hollow Ln, Suite 1B
 Milford, Ohio 45150
 (513) 831-1165
 E-mail PolConSys@aol.com

PREFABRICATED TERTIARY FILTER SYSTEM			
SCALE: NTS	QUOTE NO.	PROJECT NO.	
DRAWN BY: JJM	DATE: 10-21-99	SHEET	DRAWING NO.
CHECKED BY: JJM	DATE: 10-26-99	1 OF 1	PF-1-C

THIS DRAWING CONTAINS INFORMATION THAT IS PROPRIETARY TO POLLUTION CONTROL SYSTEMS AND IS NOT TO BE USED WITHOUT PERMISSION OF POLLUTION CONTROL SYSTEMS